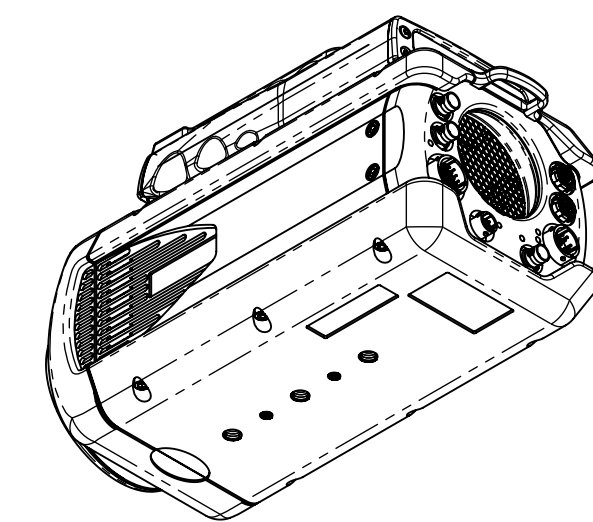
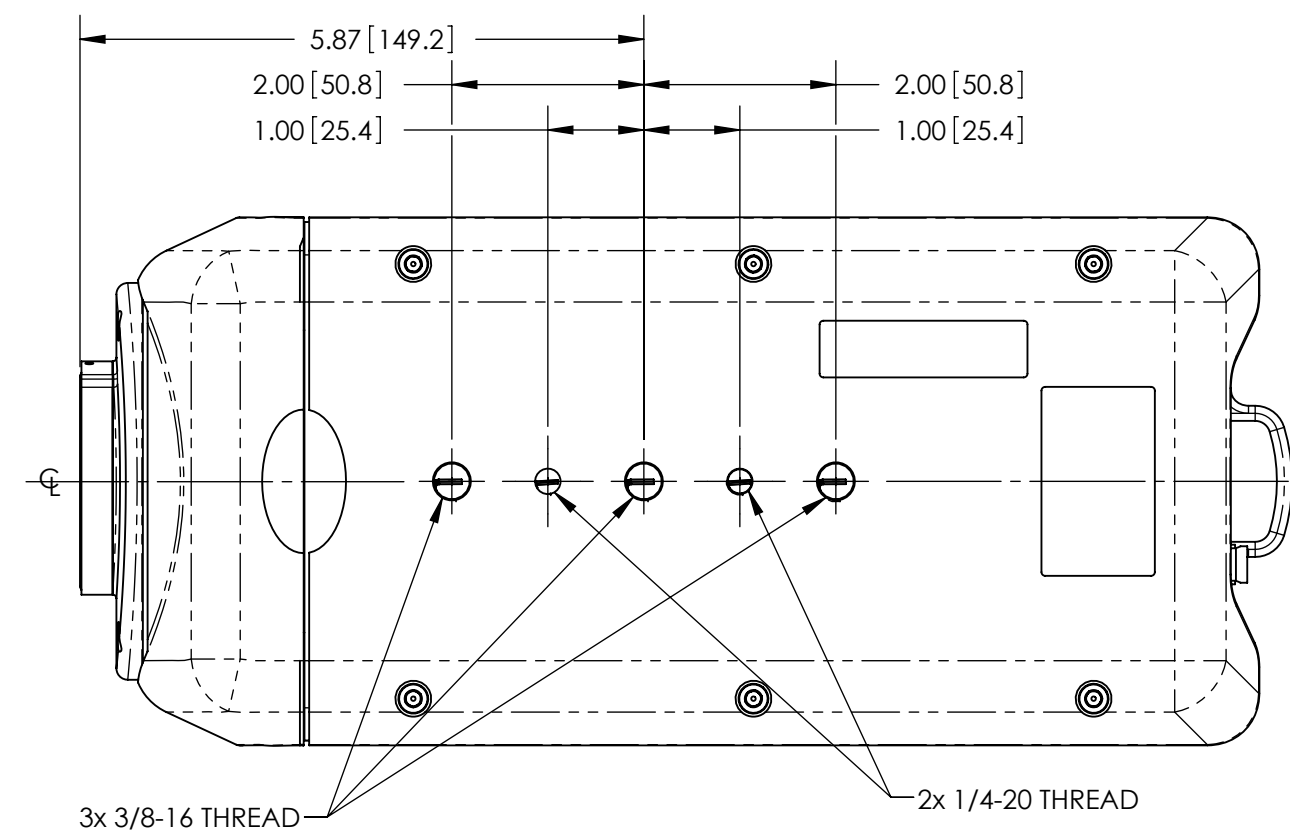
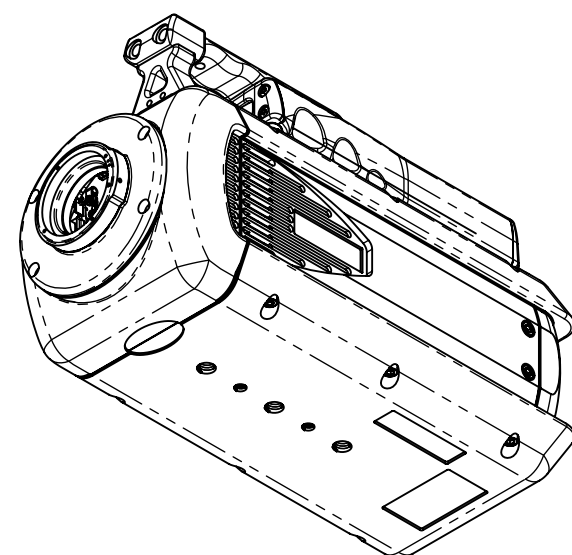
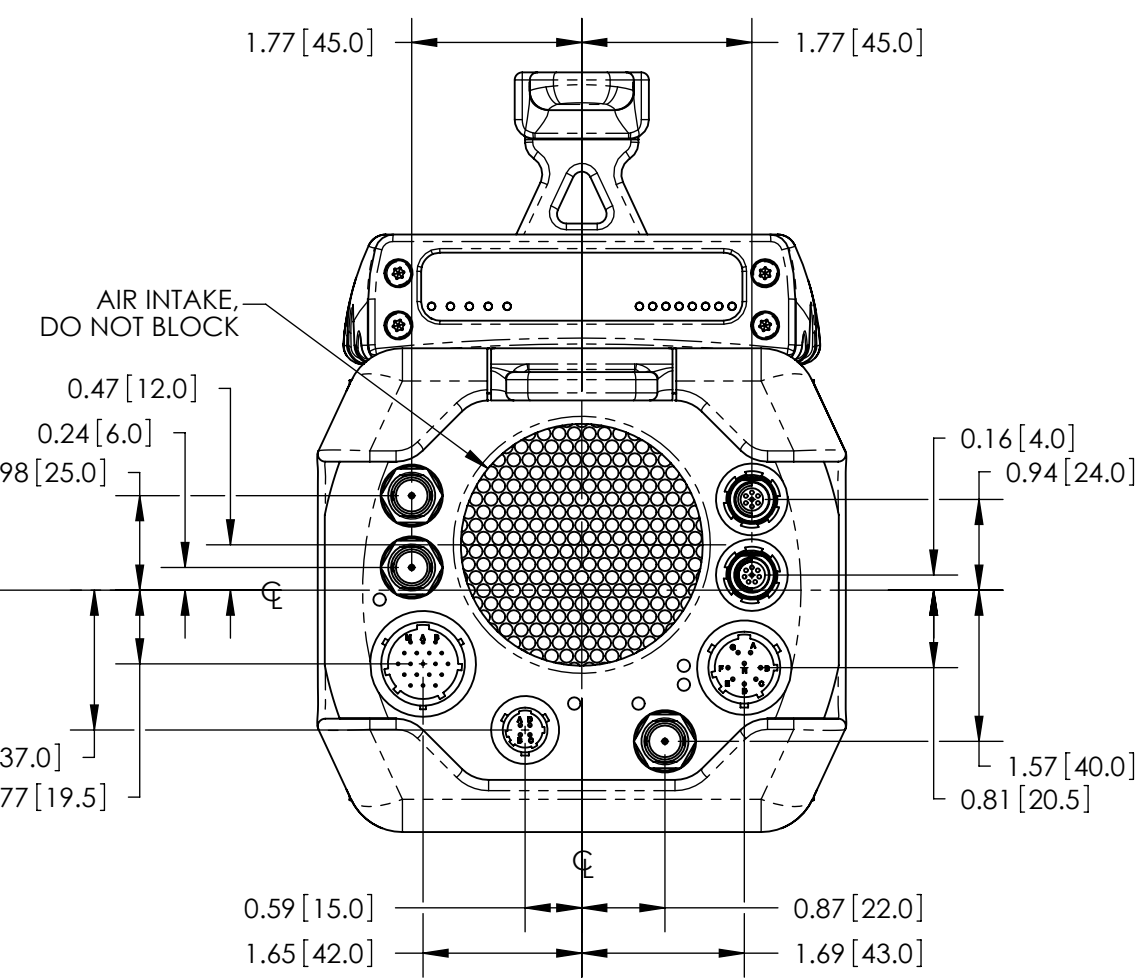
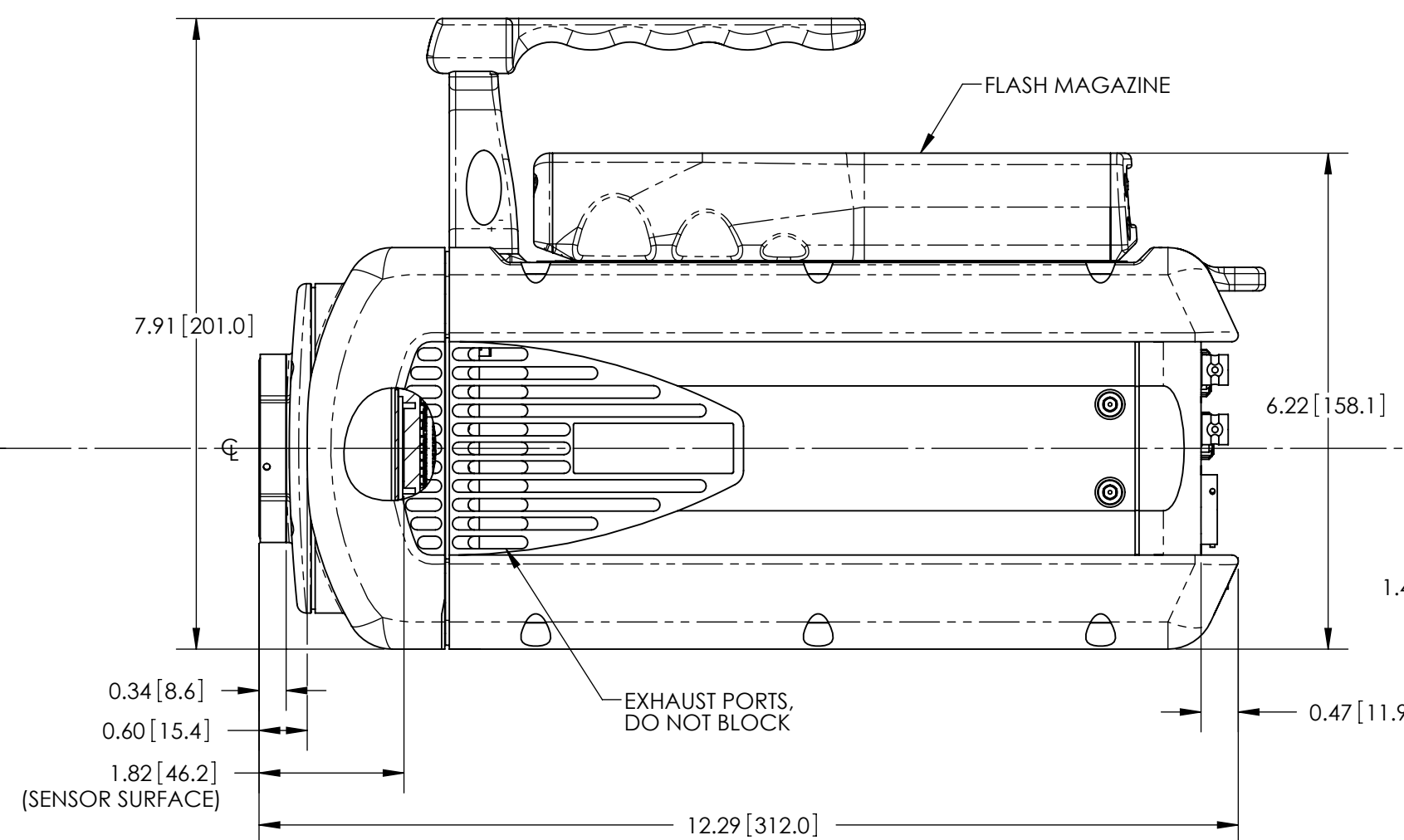
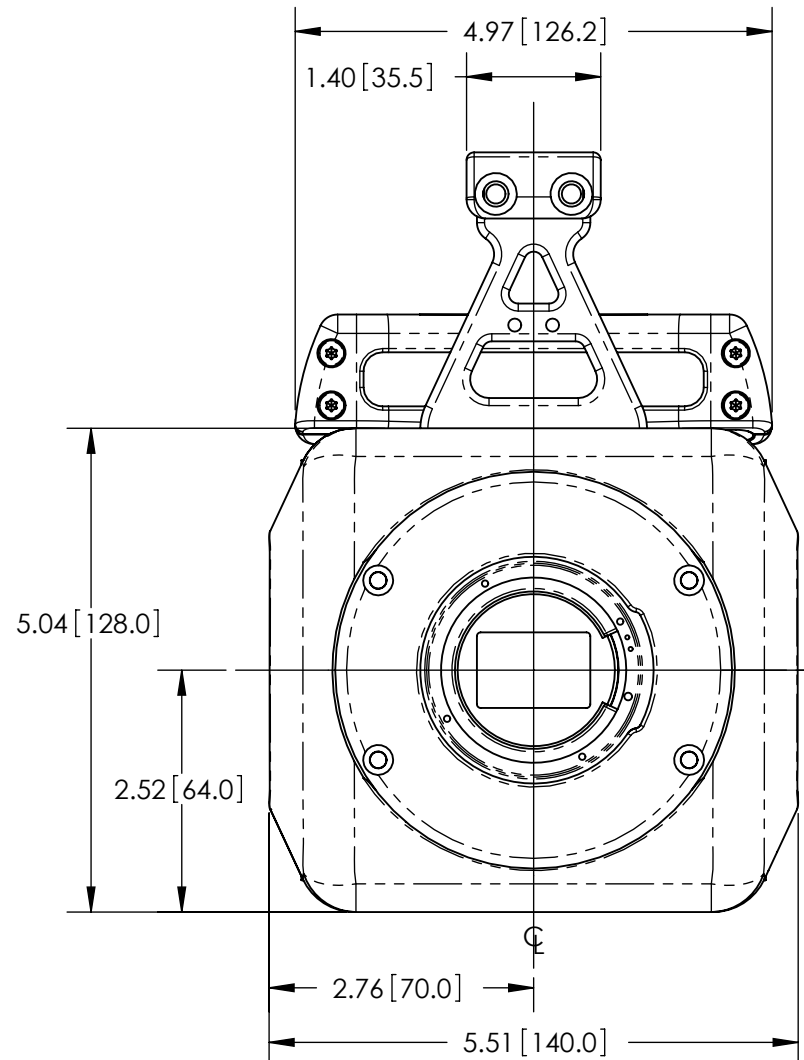
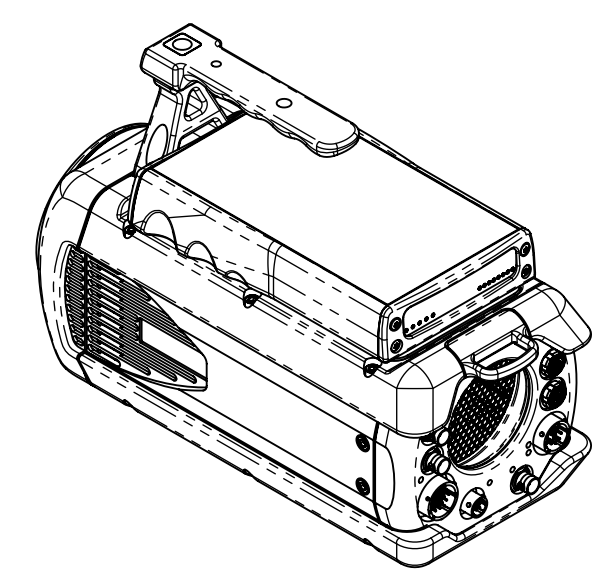
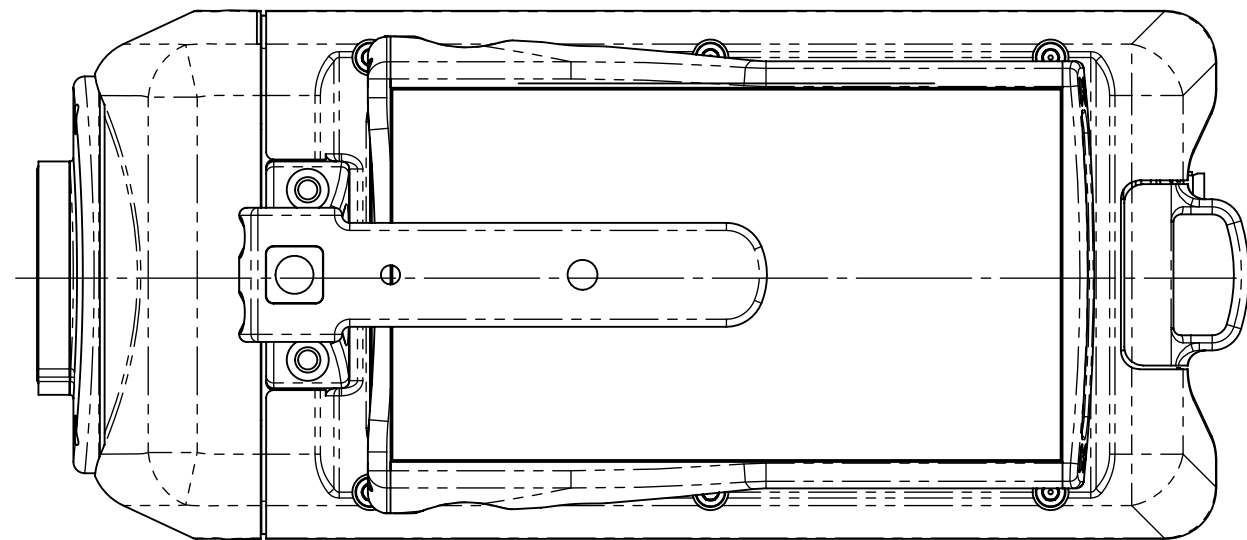
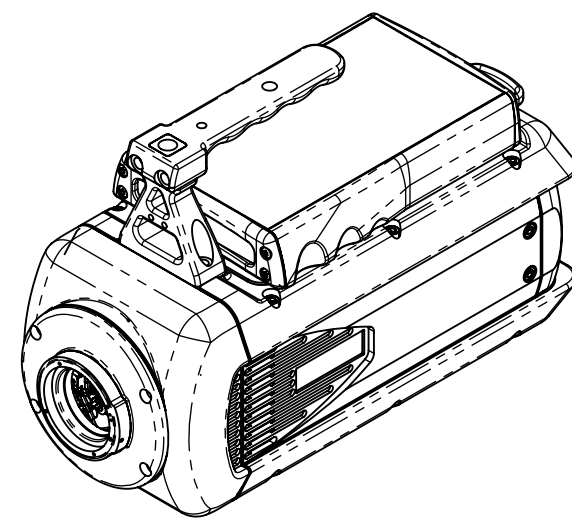


REVISIONS HISTORY			
REV.	DESCRIPTION	DRN BY	APP'D BY
1	INITIAL RELEASE	B.E.	6/11/08



- NOTE:
- CAMERA SHOWN WITHOUT LENS OR INTERCONNECTING CABLES.
 - THIS PRODUCT IS AIR COOLED. TO PREVENT OVERHEATING DO NOT BLOCK AIR INTAKE OR EXHAUST.

(MOUNTING LOCATIONS TYPICAL TOP SURFACE)

PROPRIETARY AND CONFIDENTIAL
 THE INFORMATION CONTAINED IN THIS DRAWING IS THE SOLE PROPERTY OF VISION RESEARCH. ANY REPRODUCTION IN PART OR AS A WHOLE WITHOUT THE WRITTEN PERMISSION OF VISION RESEARCH IS PROHIBITED.

UNLESS OTHERWISE SPECIFIED:	NAME	DATE
DIMENSIONS ARE IN INCHES	B.E.	6/10/08
TOLERANCES:		
FRACTIONAL ± 1/64		
ANGULAR: MACH ± 0.5		
TWO PLACE ± 0.010		
THREE PLACE ± 0.005		
INTERPRET GEOMETRIC TOLERANCING PER:		
MATERIAL		
FINISH		
PHANTOM V12		
NEXT ASSY		
USED ON		
APPLICATION		

DRAWN	B.E.	6/10/08
CHECKED		
ENG APPR.		
MFG APPR.		
Q.A.		

VISION RESEARCH
 100 Dey Road
 Wayne, New Jersey 07470 USA
 973-696-4500

TITLE: PHANTOM V12 WITH FLASH MAGAZINE MEASURED DRAWING

SIZE DWG. NO. REV
C ZDOC-PRJ104-CD-0002 1

SCALE 1:1 SHEET 1 OF 1

